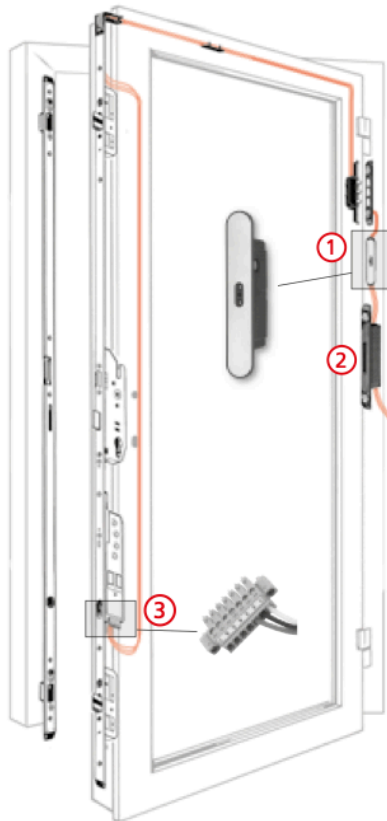
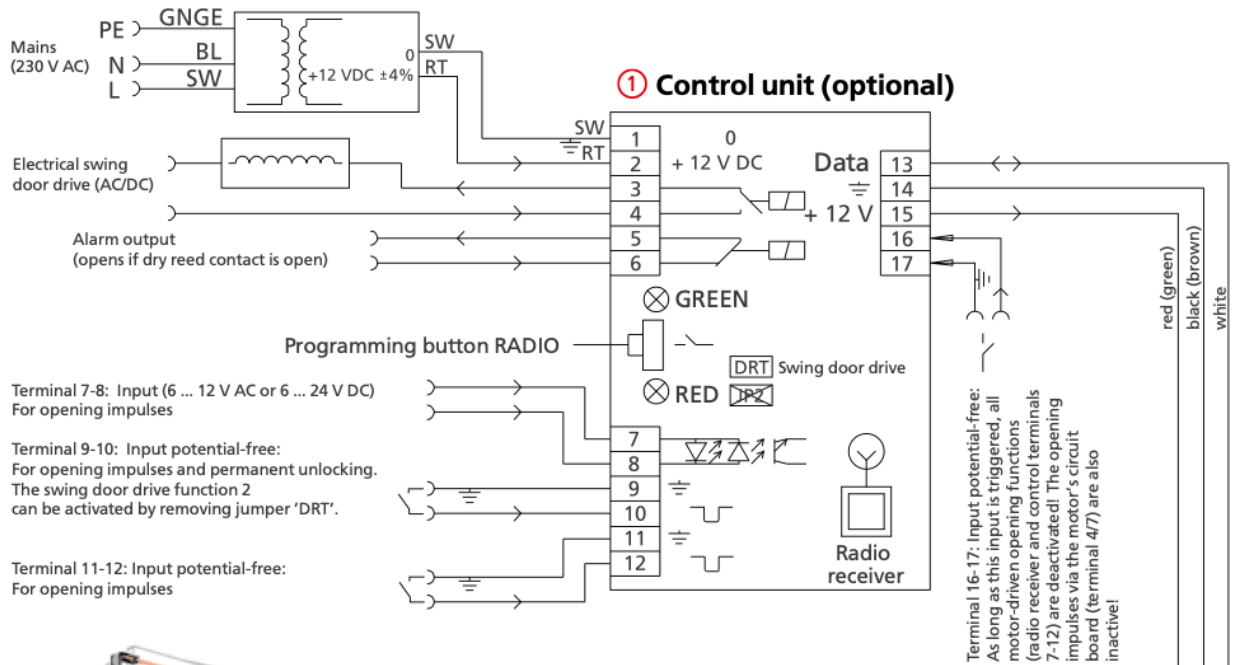
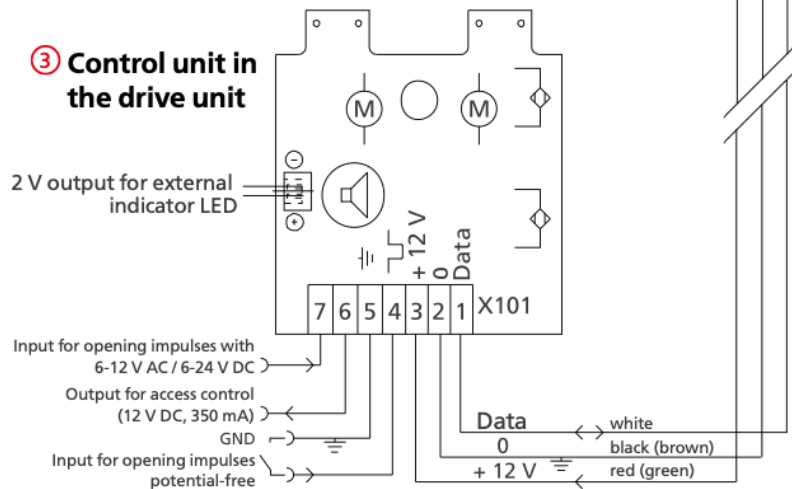


**② Power supply via FUHR switching power supply unit  
12 V DC (residual ripple < 250 mVpp)**



**③ Control unit in the drive unit**



\*Wiring diagram valid for **autotronic 834** and **autotronic 836**.